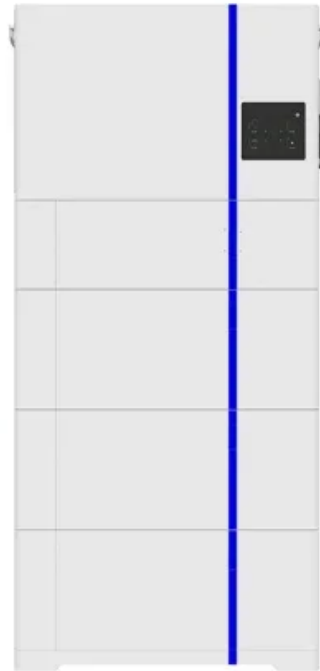


20ah lithium battery price

ESS



Overview

Get the best deals on 20Ah Lithium Multipurpose Rechargeable Batteries when you shop the largest online selection at eBay. Free shipping on many items | Browse your favorite brands | affordable prices. Check each product page for other buying options. 0AH Battery Replacement for Black and Decker 20V Lithium-Ion Battery, Compatible with Tools, Outdoor Equipment and 20V Vacuums. We have a great online selection at the lowest prices with Fast & Free shipping on many items! . The ECO-WORTHY 12V 20Ah Lithium LiFePO4 Battery with BMS truly stood out—it's lightweight, at just 4. It's the perfect replacement for the Garmin 12Ah SLA, delivering over double the operating runtime while cutting the weight in half! Chemistry: LiFePO4—the safest and longest-lasting with 2,000+ charge cycles for. Experience reliable, long-lasting power with our 12V 20AH Lithium Ion Battery. Enjoy hassle-free operation with this trusted, efficient power source. We aim to show you accurate.

20ah lithium battery price



20Ah Lithium Battery for sale

Get the best deals for 20Ah Lithium Battery at eBay . We have a great online selection at the lowest prices with Fast & Free shipping on many items!

[Get Price](#)

Best 12v 20ah Lithium Battery [Updated: February 2026]

Their 12V 20Ah lithium batteries are lightweight and can be used in various applications, such as solar power systems or backup generators. Customer feedback highlights their affordability ...

[Get Price](#)



Ionic Lithium 12V 20Ah , LiFePO4 Deep Cycle Battery + Bluetooth

Order today and get free standard shipping on your Ionic Lithium 12V 20Ah , LiFePO4 Deep Cycle Battery + Bluetooth. This offer is valid for the contiguous 48 states.

[Get Price](#)



Amazon : 20ah Lifepo4 Battery

12v 20ah Battery, 5000+ Deep Cycles Rechargeable Lithium 20Ah Lifepo4 Battery, Built-in 20A BMS, Perfect for RVs, Camping, Power Tools, and Solar Energy Storage Systems, Off-Grid Applications

[Get Price](#)



20Ah Lithium Multipurpose Rechargeable Batteries for sale , eBay

Get the best deals on 20Ah Lithium Multipurpose Rechargeable Batteries when you shop the largest online selection at eBay . Free shipping on many items , Browse your favorite brands , affordable ...

[Get Price](#)

Amazon : 20ah Lithium Battery

Price and other details may vary based on product size and color. 20 Volt MAX 2.0AH Battery Replacement for Black and Decker 20V Lithium-Ion Battery,Compatible with Tools, Outdoor ...

[Get Price](#)



Buy 12V 20Ah Deep Cycle Lithium Battery , LithiumHub Ionic



Buy your 12 Volt 20Ah lithium battery today, with free shipping! Our Ionic batteries have the best value out there. They come with an 8 year limited warranty.

[Get Price](#)

LBP 12V 20Ah Lithium Battery

With its lightweight design and high energy density, the LBP 12V 20Ah Lithium Battery is your reliable source of energy for RVs, boats, solar systems, electric vehicles, and more.

[Get Price](#)



12V 20AH Lithium Ion Battery

Experience reliable, long-lasting power with our 12V 20AH Lithium Ion Battery. This high-quality battery offers superior performance and is equipped with customized options for optimal functionality.

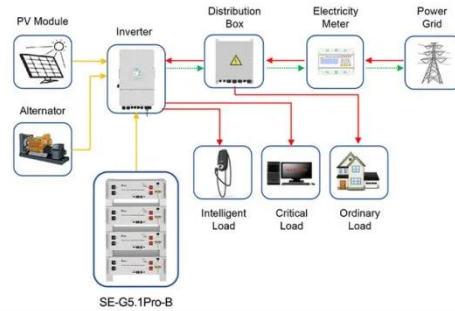
[Get Price](#)

12v 20Ah Lithium Battery (LiFePO4) - Amped Outdoors

Power your electronics longer with this 20Ah Lithium Iron Phosphate (LiFePO4)

battery. It's the perfect replacement for the Garmin 12Ah SLA, delivering over double the operating runtime while cutting the ...

[Get Price](#)



Application scenarios of energy storage battery products

Contact Us

For catalog requests, pricing, or partnerships, please visit:
<https://www.cannabiswow.es>

