

200kWh Lithium-ion Battery Cabinet for Wind Power Generation in Mexico



200kWh Lithium-ion Battery Cabinet for Wind Power Generation in I



High Capacity 200kW Battery Energy Storage System

Optimize energy management with our high-capacity 200kW battery ...

[Get Price](#)

200kwh Lithium Battery Storage

Battery voltage, size, and design can be customized according to your detailed energy requirements and installation space. The LFP (Lithium Iron Phosphate) cells in this 200kwh battery storage provide ...



[Get Price](#)



Introduction to 200Kwh Battery Energy Storage System Suppliers

Leeline Energy offers 200Kwh battery energy storage systems that are designed for durability and high performance. These units use lithium-ion batteries with stable chemical ...

[Get Price](#)

100KW 200kwh 215kwh energy storage container solar liquid cooling

The liquid-cooled energy storage box features efficient heat dissipation, energy conservation and environmental protection, compact design, intelligent control, safety and reliability, wide applicability, ...



[Get Price](#)



200kwh Lithium Ion Battery

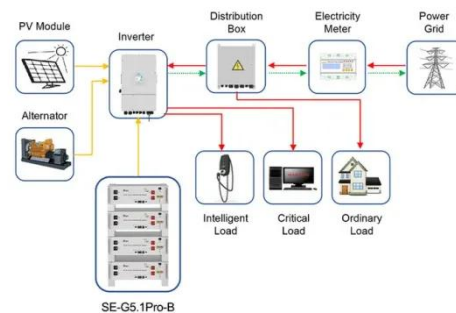
Ideal for power grids, these batteries provide energy storage solutions that can support renewable energy integration, peak shaving, and load leveling. As a result, one of their immense energy storage ...

[Get Price](#)

High Capacity 200kW Battery Energy Storage System

Optimize energy management with our high-capacity 200kW battery energy storage system. Unlock reliable and efficient power solutions for your operations.

[Get Price](#)



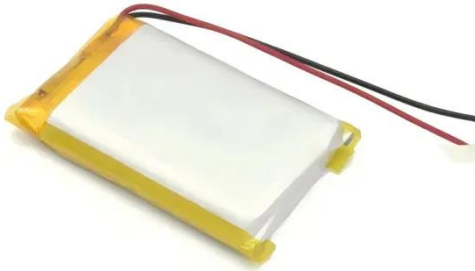
Application scenarios of energy storage battery products

200 kWh Battery Storage Industrial Battery Systems

200 kWh battery price, commercial battery storage costs, customized design

according to electricity demand.

[Get Price](#)



50 to 200kW Battery Energy Storage Systems

Discover the MEGATRON Series - 50 to 200kW Battery Energy Storage Systems (BESS) tailored for commercial and industrial applications. These systems are install-ready and cost-effective, offering ...

[Get Price](#)



100KW+200KWh Lithium Battery System Cabinet

Designed with 100KW output and 200KWh storage, the lithium - ion battery system cabinet offers efficient, reliable energy solutions for solar/wind storage, emergency power, and industrial energy ...

[Get Price](#)



200kWh 215kWh 225kWh 245kWh C& I ESS Battery System , BSLBATT

The C& I ESS Battery System is a standard solar energy storage system designed by BSLBATT with multiple capacity options of 200kWh / 215kWh / 225kWh / 245kWh to meet energy needs such as ...

[Get Price](#)



200kWh-241kWh High Voltage Lithium Battery Energy Storage ...

BSLBATT ESS-GRID Cabinet Series is an industrial and commercial energy storage system available in capacities of 200kWh, 215kWh, 225kWh, and 245kWh. It offers peak shaving, energy backup, ...

[Get Price](#)

Contact Us

For catalog requests, pricing, or partnerships, please visit:
<https://www.cannabiswow.es>

